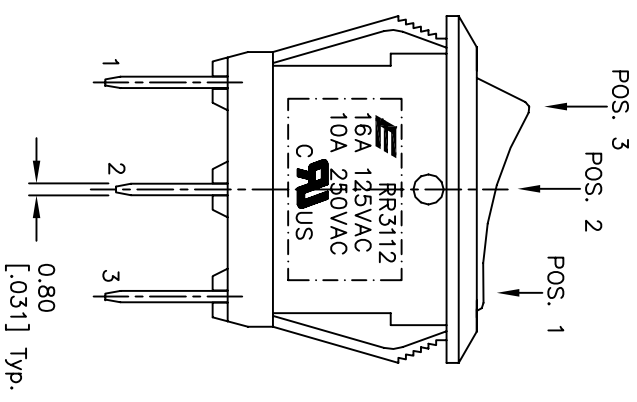
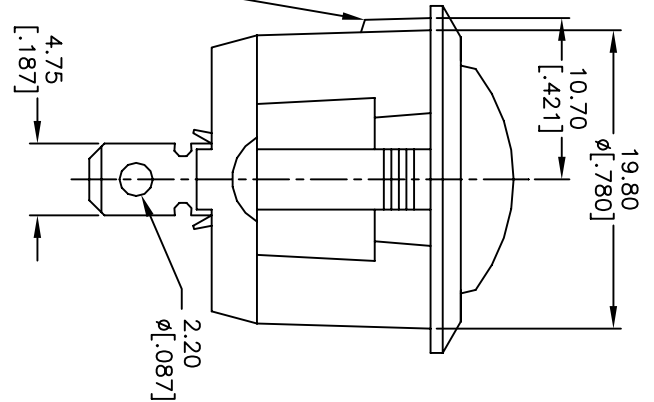
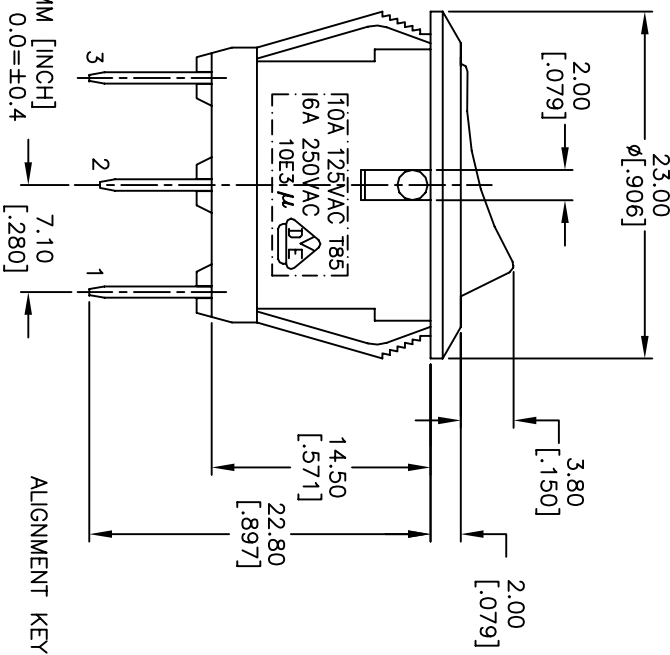
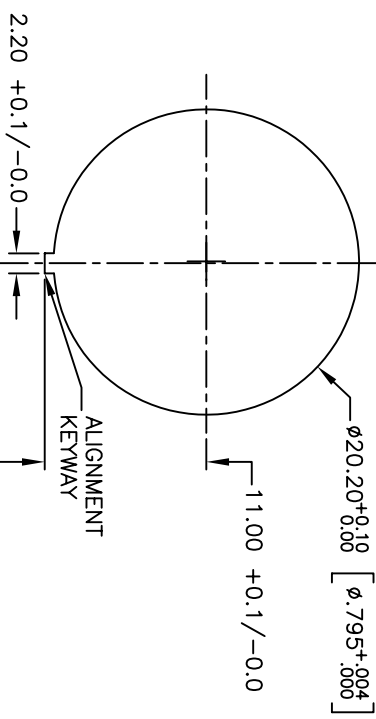


POS.	1	2	3
SWITCH FUNCTION	ON	OFF	ON
CONTACT CONFIGURATION	1-2	OPEN	2-3



- NOTES:
1. ALL DIMENSIONS IN MM [INCH]
 2. GENERAL TOLERANCE: 0.0=±0.4
0.00=±0.25
 3. TERM. NOS. FOR REF. ONLY
 4. RATING: 16A, 125VAC, 10A, 250VAC UL&CUL APPROVED
10A 125VAC, 6A 250V AC VDE APPROVED
 5. CONTACT RESISTANCE: 50m ohm max.
 6. INSULATION RESISTANCE: DC 500V 100M ohm min.
 7. DIELECTRIC STRENGTHS: AC 1500V 1 minute
 8. OPERATING TEMP.: 0°C to 85°C
 9. ▲ DENOTES CRITICAL PARAMETER.

REV.	ECN No.	DESCRIPTION	DATE	CHKD
B	16431	'A' MARKING TO 'B' MARKING	9/5/06	BD
A	13919	RELEASED FOR PRODUCTION	4/15/04	AR

THE INFORMATION CONTAINED IN THIS DOCUMENT IS PROPRIETARY TO E-SWITCH AND IS NOT TO BE COPIED OR TRANSMITTED

TITLE	SCALE	DATE	DR	DWG	REV
RR3112DBLKBKBF0	2:1	4/15/04	AR	F130419	B

E-SWITCH